

# Ninja Needles

## The Old Hat-Pin Ploy On Steroids!

A hatpin is a decorative pin for holding a hat to the head, by the hair. In Western culture, a hatpin is almost-solely a female item and is often worn in a pair. They are typically around 20cm in length, with the pinhead being the most decorative.

In Britain, they rose to popularity toward the end of the Victorian era, and continue to be a popular accessory. It is interesting to note that laws were passed in 1908 in America which limited the length of hatpins, as there was a concern they might be used as offensive weapons.

However, it is a matter of fact that, in more than one instance, a woman used her hat-pin as a defensive weapon against the unwanted amorous advances of some low-life dirt-bag.

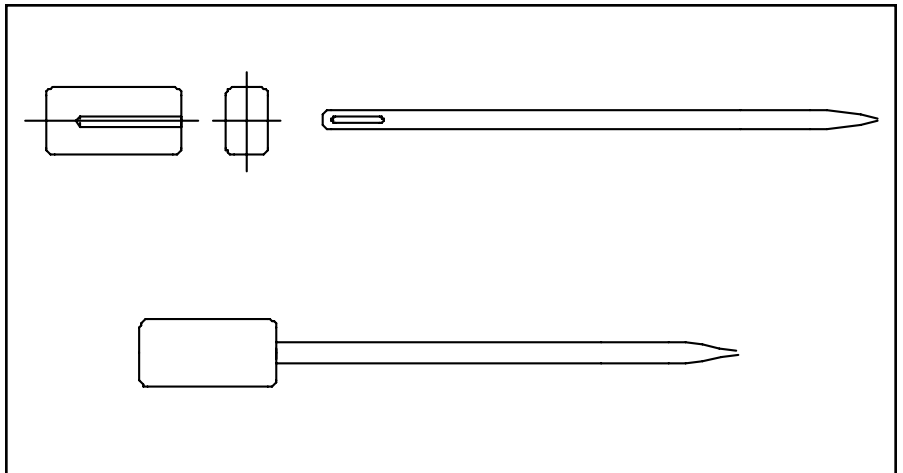
While serving the utility for which it was designed, the hat-pin was a bit flimsy for rigorous defensive usage. This problem was solved about 50 years ago when an old martial artist in New York designed a device just for defensive use. He used a mattress needle about 5 inches long and fixed a "handle" to it by heating the eyelet and forcing it into the small hole of a plastic bead. He named it "Ninja Needle" for the job it did.

It was to be worn in the collar or garment hem, where it was readily accessible. He recorded one case where a young lady, who was luckily-wearing one of his Ninja-Needles, was able to save herself from being raped in a New York elevator. She thrust her needle under the creep's chin, through his tongue and into the roof of his mouth. Needless to say, assaulting her became secondary to, his more pressing problem. She was able to safely escape.

Since mattress needles aren't readily-available, we constructed one from a 4 inch darning needle and a piece of plastic toothbrush handle.



Above we see an assortment of conventional hatpins. They are too "skinny" to be used for serious defensive weapons.



Cut a piece of the toothbrush handle about 1 inch long. Next drill a hole that's a bit smaller than the diameter of the darning needle. As in the drawing above, don't drill all the way through.

Holding the needle with pliers, heat the eyelet end with a propane torch. Heat just enough that the needle will melt its way into the smaller hole. When in sufficiently, twist slightly to lock the eyelet hole into the plastic.

In place of the toothbrush handle, you could substitute a large plastic bead.

Congratulations! You have just made a Ninja Needle, which when prop-

erly used, will get the point across to your attacker that he picked the wrong person to assault!

Your needle can be worn hidden in places like your collar or hem areas of your garment — the choice is yours. Keep in mind that it must be readily available and, also, arranged not to stick you!

Remember, the purpose of this weapon is to give painful distraction, allowing you to extract yourself from a bad situation.



The two photographs above are almost self-explanatory. To create a Ninja-needle-type weapon, we obtained a large 4 inch long horse blanket type safety pin. A key ring was added, making it an excellent way to carry the keys to your house and car.

As you approach either, you already have this weapon in your hand. Held similarly to the way the girl in the photographs is holding hers, it can be suddenly thrust into any available area on your attacker's anatomy. Thrust hard and repeatedly to get maximum effect from your defensive action.

Remember, your next move will be to get away from your attacker. While he is groaning in agony, get as far from him

as possible. After you have successfully extracted yourself from the attack, preserve your "needle" in a ziplock bag and give it to the police, when reporting the incident. There may be enough of the creep's blood on it for them to get a DNA and hopefully-locate him.

While we have presented the weapon as a lady's tool, some guys carry their keys on a similar horse-blanket safety-pin arrangement.

They fasten the pin over a belt loop and let the keys hang freely into their front pocket. Unnoticed, they can release the pin and position it in their hand, similarly — as shown here.

With the power of a larger and stronger individual, some serious damage can be done with either Ninja-needle set-up.

A man could use the straight needle on the first page of this article, by sticking into whatever headgear he's wearing. If a ball cap, it could go on the sideband with only the handle exposed.

While scratching your head you retrieve the needle and stand ready to go into a defensive attack with it.

This weapon is designed to extract you from bad situations. During the moment of the attacker's surprise and pain, "get out of Dodge!"

